



Low-profile vandal-resistant fixture covers the footprint of most traditional canopy lights. Available in flat or drop lens with frosted and unfrosted options.

Color: Bronze

Weight: 12.0 lbs

| | |
|---------------------|--------------|
| Project: | Type: |
| Prepared By: | Date: |

| Driver Info | | LED Info | |
|--------------|------------------|-----------------|---------|
| Type: | Constant Current | Watts: | 65W |
| 120V: | 0.64A | Color Temp: | 5000K |
| 208V: | 0.40A | Color Accuracy: | 78 CRI |
| 240V: | 0.35A | L70 Lifespan: | 100000 |
| 277V: | 0.30A | Lumens: | 7775 |
| Input Watts: | 63W | Efficacy: | 123 LPW |
| Efficiency: | N/A | | |

Technical Specifications

Listings

UL Listing:

Suitable for Wet Locations. Covered Ceiling Mount Only.

DLC Listed:

This product is on the Design Lights Consortium (DLC) Qualified Products List and is eligible for rebates from DLC Member Utilities.

DLC Product Code: P2AJRY5Y

IESNA LM-79 & LM-80 Testing:

RAB LED luminaires have been tested by an independent laboratory in accordance with IESNA LM-79 and LM-80, and have received the Department of Energy "Lighting Facts" label.

Electrical

Driver:

Class 2, 100-277V, 50-60Hz, 1650mA

THD:

6.1% at 120V, 10.1% at 277V

Construction

Maximum Ambient Temperature:

Suitable for use in 40°C (104°F) ambient temperatures

Cold Weather Starting:

Minimum starting temperature is -40°C (-40°F)

Housing:

Die-cast aluminum housing and lens frame with (4) 1/2" NPS side conduit entries and weatherproof rear wire plug and access plate

Mounting:

Ceiling mount to recessed junction with knockout template or directly to ceiling surface, utilizing side conduit entry points.

IP Rating:

Ingress Protection rating of IP66 for dust and water

Lens:

Vandal-resistant polycarbonate textured opaque for low glare drop lens

Reflector:

Semi-specular, vacuum-metalized polycarbonate

Gaskets:

High-temperature silicone gaskets

Finish:

Our environmentally friendly polyester powder coatings are formulated for high-durability and long-lasting color, and contain no VOC or toxic heavy metals.

Green Technology:

Mercury and UV free. RoHS compliant components. Polyester powder coat finish formulated without the use of VOC or toxic heavy metals.

LED Characteristics

LEDs:

Discreet LEDs on PCB board

Color Stability:

RAB LEDs exceed industry standards for chromatic stability.

Color Uniformity:

RAB's range of CCT (Correlated Color Temperature) follows the guidelines of the American National Standard for Specifications for the Chromaticity of Solid State Lighting (SSL) Products, ANSI C78.377-2017.

Other

Warranty:

RAB warrants that our LED products will be free from defects in materials and workmanship for a period of five (5) years from the date of delivery to the end user, including coverage of light output, color stability, driver performance and fixture finish. See our full warranty

Replacement:

Replaces up to 175W Metal Halide.

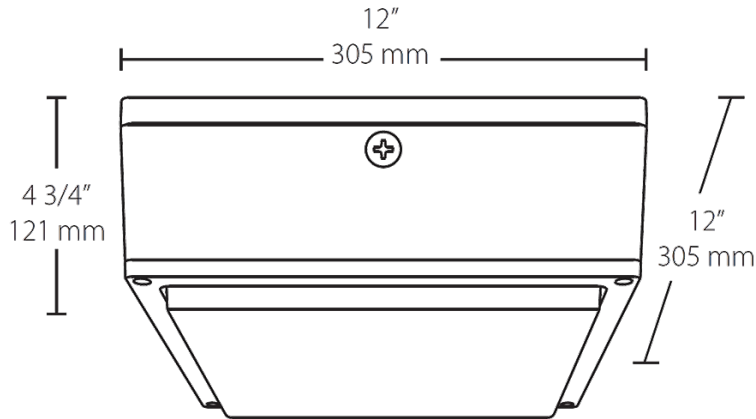
FTC Country of Origin:

This product was assembled in the USA by RAB using imported components.

Buy American Act Compliance:

This product complies with the Buy American Act.

Dimensions



Features

- Fits the footprint of older canopy lights
- Vandal resistant and UV resistant lens
- Ultra-high efficiency
- Clean, contemporary, low-profile design
- Available with drop lens or flat lens
- IP66 rated, keeps dust, bugs and water out
- Photo and motion sensor options available

Ordering Matrix

| Family | Wattage | Color Temp | Lens | Motion Sensor & Finish | Driver Options | Photocell Options |
|--------|----------|----------------------|---|---|---|---------------------|
| VANLED | | | | | | |
| | 10 = 10W | Blank = 5000K (Cool) | Blank = Drop lens | Blank = Bronze, no sensor W = White, no sensor | Blank = On/Off driver /D10 = 0-10V Dimming (not available for 10w) | /PCS = 120V Swivel |
| | 20 = 20W | N = 4000K (Neutral) | F = Flat lens FR = Frosted Drop Lens | MS = Bronze w/ SMS500 mini-sensor (not available w/ D10 models) | /480 = 480V (not available for 10W or 20W) | /PCS2 = 277V Swivel |
| | 40 = 40W | Y = 3000K (Warm) | FFR = Frosted Flat Lens | MSW = White w/ SMS500 mini-sensor (not available w/ D10 models) | /480/D10 = 480V w/ 0-10V dimming (not available for 10W or 20W) | /PCS4 = 480V Swivel |
| | 52 = 52W | | | | | |
| | 65 = 65W | | | | | |
| | 75 = 75W | | | | | |